

BS

Single subplate

5

CETOP 5/NG10

29

1/2" BSP - P rear connector
1/2" BSP - A and B side connectors
1/2" BSP - T rear connector
3/4" BSP - T side connector

C

Type of adjustment
Grub screw

*

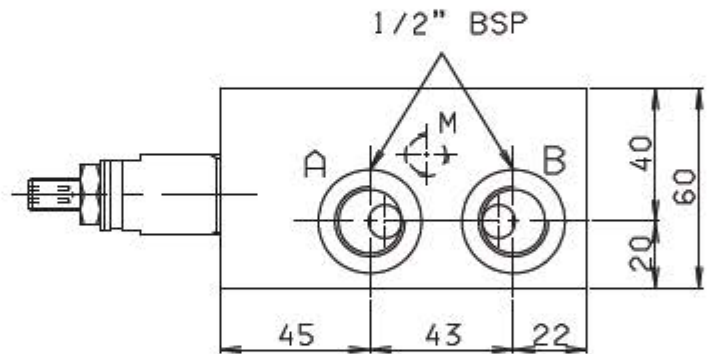
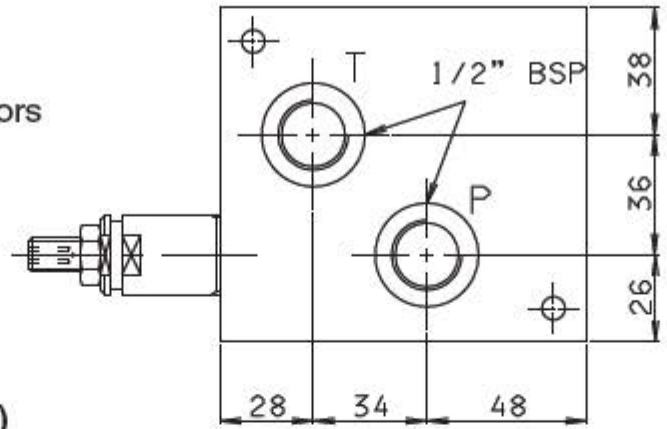
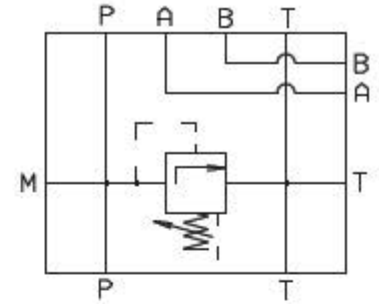
Setting range
2 = max. 150 bar (yellow spring)
3 = max. 320 bar (green spring)

00

No variant

1

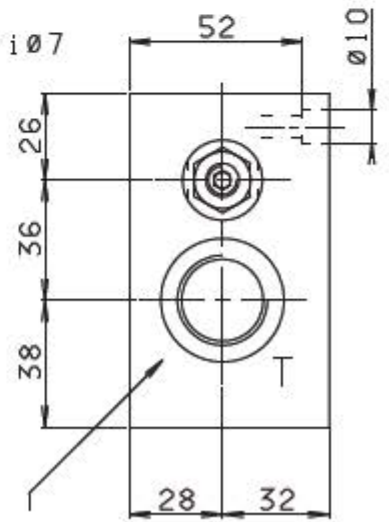
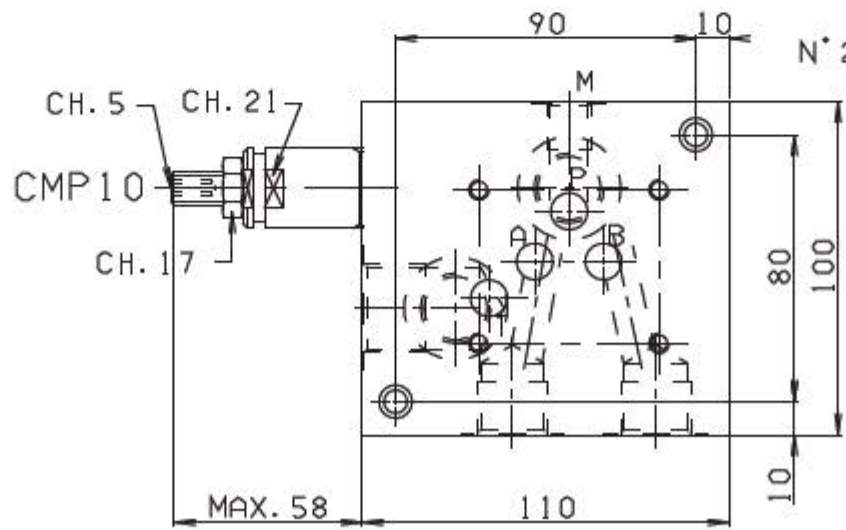
Serial No.



Weight: 4,5 Kg
Fixing screws M6x60 UNI 5931

Tightening torque CMP.10...
60 ÷ 70 Nm / 6 ÷ 7 Kgm

M = Manometer connector (1/4" BSP)



3/4" BSP