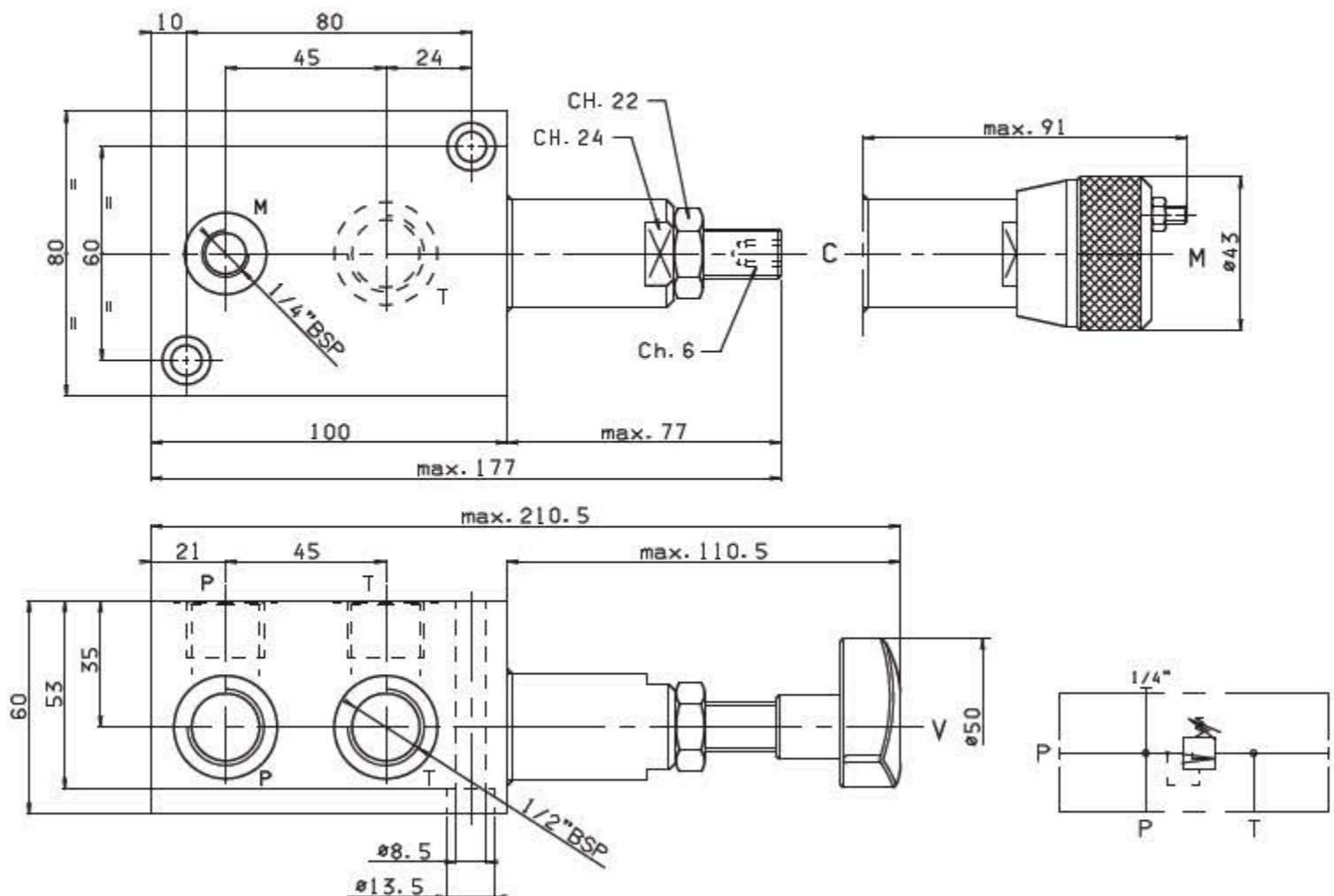


## BS.VMP.20 SINGLE STATION SUBPLATE WITH MAX. PRESSURE VALVE FOR SURFACE MOUNTING (E.G. ON TANK COVER)

<b>BS</b>	Single subplate
<b>VMP</b>	Max. pressure valve
<b>20</b>	1/2" BSP connectors
<b>*</b>	<b>M</b> = Plastic knob <b>C</b> = Grub screw <b>V</b> = Handwheel
<b>*</b>	Setting range <b>1</b> = max. 50 bar ( <b>white spring</b> ) <b>2</b> = max. 140 bar ( <b>yellow spring</b> ) <b>3</b> = max. 250 bar ( <b>green spring</b> )
<b>00</b>	No variant
<b>1</b>	Serial No.



• The minimum permissible setting pressure depending on the spring:  
see cartridge valve type CMP.20...

Weight: 3,1 Kg

Fixing screws M8x65 UNI 5931