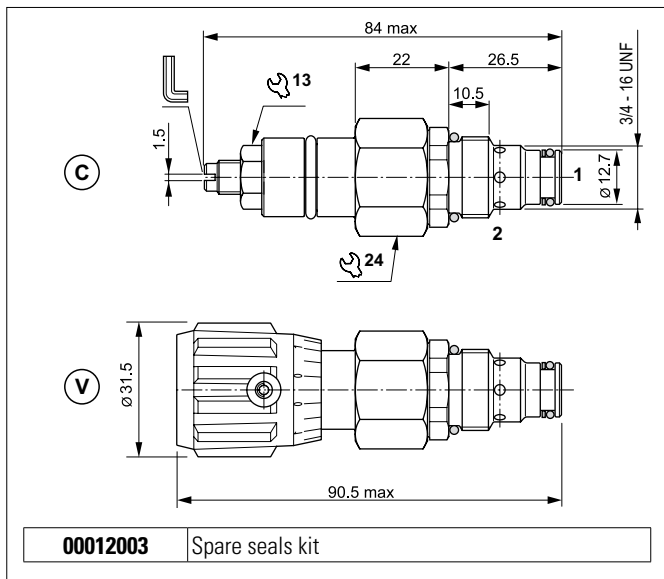


UNIDIRECTIONAL COMPENSATED FLOW CONTROL VALVES

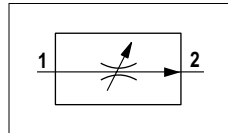


The flow control valve maintains a steady flow in a single direction (1 to 2) regardless of oil pressure.
 The flow is reduced by turning the screw or wheel right or left.
 Slight leakage is tolerated when the control screw or wheel is screwed down completely.
 It has a galvanised steel body. The compensator plunger is in tempered and ground steel.

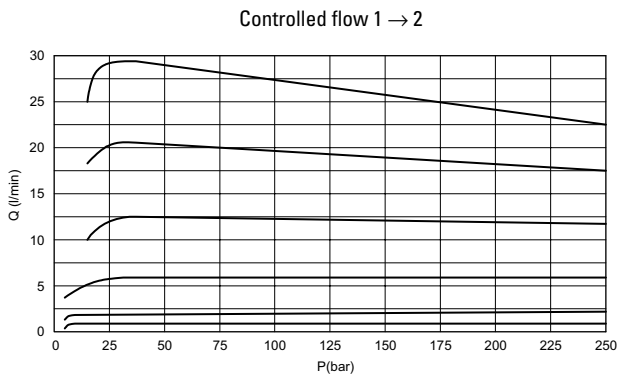
HYDRAULIC FEATURES

Max. opening pressure	250 bar
ΔP of regulation	12.6 bar
Max. Flow	29 l/min
Hydraulic fluid	DIN 51524 Mineral oils
Fluid viscosity	10 ÷ 500 mm ² /s
Fluid temperature	-25°C ÷ 75°C
Ambient temperature	-25°C ÷ 60°C
Max. contamin. level class with filter	ISO 4406:1999 - class 19/17/14
Weight	0.2 kg
Tightening torque	25 ÷ 30 Nm
Cavity (3/4 - 16 UNF)	CD018006 (See section 15)

HYDRAULIC SYMBOL



PRESSURE DROPS



Fluid used: mineral based oil with viscosity 32 mm²/s at 40°C.

ORDERING CODE

