

MAXIMUM PRESSURE CARTRIDGE VALVES



Aron maximum pressure cartridge valves allow control of hydraulic circuit pressures up to 400 bar and 350 l/min maximum flow rate (NG25).

Besides the normal manual pressure regulation mode, function like electrical command for discharge to drain, remote control, proportional pressure control or electrically selected dual pressure levels are also available.

Nominal size (max. diameter)	16mm / 25mm
Max. operating pressure	400 bar
Maximum nominal flow rate NG16	150 l/min
Maximum nominal flow rate NG25	350 l/min
Setting ranges	15 ÷ 400 bar

MAX. PRESSURE COVERS	
KEC.16/25... WITH CMP	CH. V PAGE 10
C*.P.16/25...	CH. V PAGE 11
CETOP 3/NG06	CH. I PAGE 8
AD.3.E...	CH. I PAGE 11
AM.3.VM...	CH. IV PAGE 9
XP.3...	CH. VIII PAGE 16

The CETOP 3/NG6 interface allows the mounting of a AD.3.E... valve. A standard cartridge valve DIN 24342 is used. A cover not according to DIN rules is also available.

The valve response specification may be modified by selection of different internal orifices according to the required application. **The standard version has calibrated orifices of Ø 1 mm in X and AP.**

DIN STANDARDS COVER ORDERING CODE

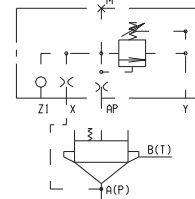
KEC	DIN standards cover
**	16 = NG16 25 = NG25
**	Type of cover ME = Max. pressure valve with interface CETOP 3 MP = Max. pressure valve UE = Exclusion valve with interface CETOP 3 UN = Exclusion valve SL = Sequencing valve
*	Setting ranges 1 = 15 ÷ 45 bar (white spring) 2 = 15 ÷ 145 bar (yellow spring) 3 = 60 ÷ 400 bar (green spring)
*	Type of adjustment M = Plastic knob C = Grub screw
**	00 = No variant V1 = Viton
3	Serial No.

PLATE MOUNTING COVERS ORDERING CODE

C*P	M = Cover with max. pressure valve U = Cover with exclusion valve S = Cover with sequencing valve
*	E = Presetting for solenoid valve (Omit if not required)
**	16 = NG16 25 = NG25
*	Type of adjustment M = Plastic knob C = Grub screw
*	Setting ranges 1 = 15 ÷ 45 bar (white spring) 2 = 15 ÷ 145 bar (yellow spring) 3 = 60 ÷ 400 bar (green spring)
**	00 = No variant V1 = Viton
2	Serial No.

MANUAL PRESSURE REGULATION

This regulation facility is incorporated in the cartridge closing cover. A Z1 port is provided on the cover for remote piloting via directional or pressure control valves.

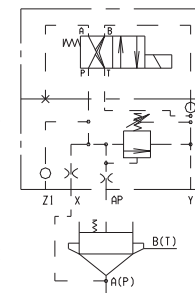


KEC. **. MP. .
CMP. **. .

KEL. **. U. .

MANUAL PRESSURE REGULATION AND ELECTRICAL COMMAND FOR DISCHARGE TO DRAIN

This arrangement uses an electrically controlled valve type AD3E15.. which normally, in the de-energized position, allows discharge to drain of the controlled flow. When energized, the system operates at the pressure set on the piloting unit incorporated in the closing cover.



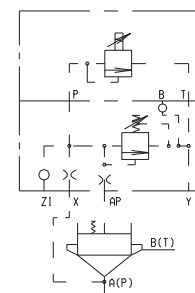
AD. 3. E.

KEC. **. ME. .
CMP. E. **. .

KEL. **. U. .

MANUAL REGULATION AND PROPORTIONAL CONTROL OF THE PRESSURE

This arrangement uses a proportional pressure valve type XP3.. as the pilot, which allows proportional regulation of the controlled system pressure as a function of an electrical command signal.



XP. 3. .

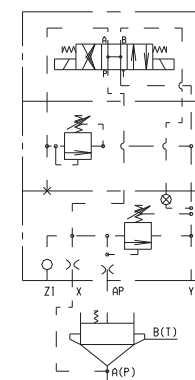
KEC. **. ME. .
CMP. E. **. .

KEL. **. U. .

MANUALLY ADJUSTABLE AND ELECTRICALLY SELECTED TWO LEVEL PRESSURE UNIT

This arrangement uses a dual solenoid electrically controlled valve type AD3E02C.. and a modular maximum pressure valve type AM3VMA... which, when combined, allow implementation of an electrically selected two level pressure system.

Normally, with the solenoid valve de-energized, the controlled flow is discharged to drain.




AD. 3. E.

AM. 3. VM. . .

KEC. **. ME. .
CMP. E. **. .

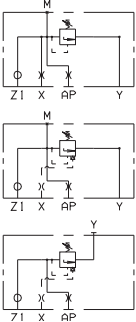
KEL. **. U. .

KEC.16.MP/UN/SL... WITH MAX. PRESSURE VALVE / EXCLUSION / SEQUENCING - IN LINE MOUNTING



DIN STANDARD

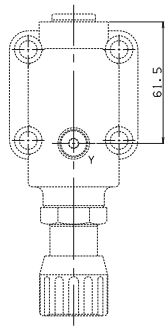
Weight: 1,3 Kg
The covers are supplied with M8x35 UNI 5931 fixing screws and reference pins dia $\varnothing 3 \times 12$ UNI 6874-71

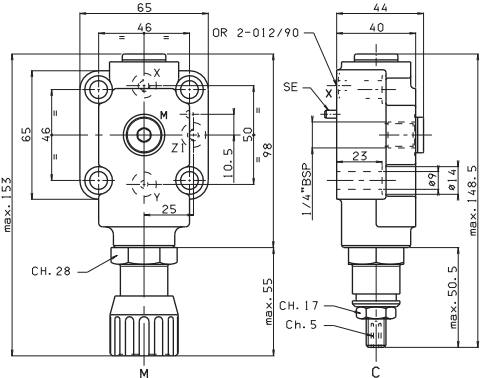


KEC.16.MP...

KEC.16.UN...


KEC.16.SL...





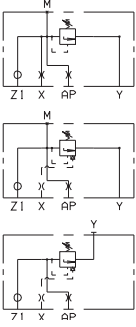
KEC.25.MP/UN/SL... WITH MAX. PRESSURE / EXCLUSION / SEQUENCING - IN LINE MOUNTING

5



DIN STANDARD

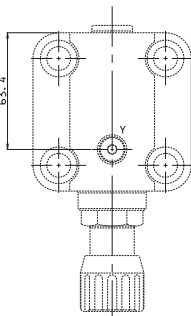
Weight: 1,8 Kg
The covers are supplied with M12x45 UNI 5931 and reference pins dia $\varnothing 5 \times 12$ UNI 6874-71

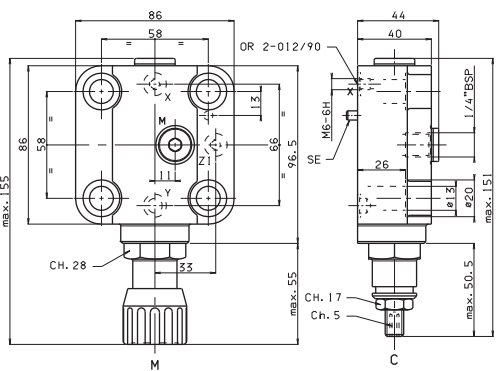


KEC.25.MP...


KEC.25.UN...

KEC.25.SL...



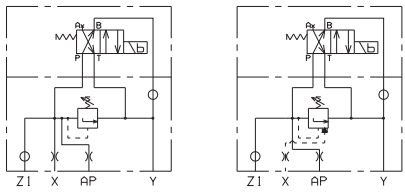


KEC.16.ME/UE WITH MAX. PRESSURE VALVE / EXCLUSION WITH INTERFACE CETOP 3 - IN LINE MOUNTING



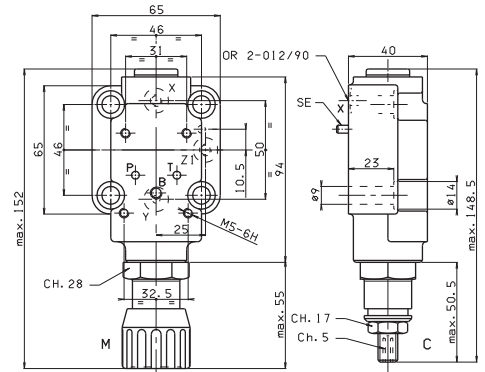
DIN STANDARD

Weight: 1,3 Kg
The covers are supplied with M8x35 UNI 5931 fixing screws and reference pins dia $\varnothing 3 \times 12$ UNI 6874-71




KEC.16.ME...

KEC.16.UE...

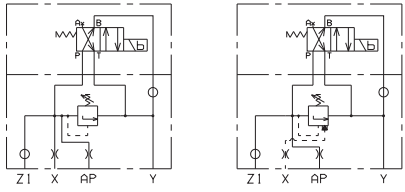


KEC.25.ME/UE WITH MAX. PRESSURE VALVE / EXCLUSION WITH INTERFACE CETOP 3 - IN LINE MOUNTING



DIN STANDARD

Weight: 1,8 Kg
The covers are supplied with M12x45 UNI 5931 fixing screws and reference pins dia $\varnothing 5 \times 12$ UNI 6874-71



KEC.25.ME...

KEC.25.UE...

