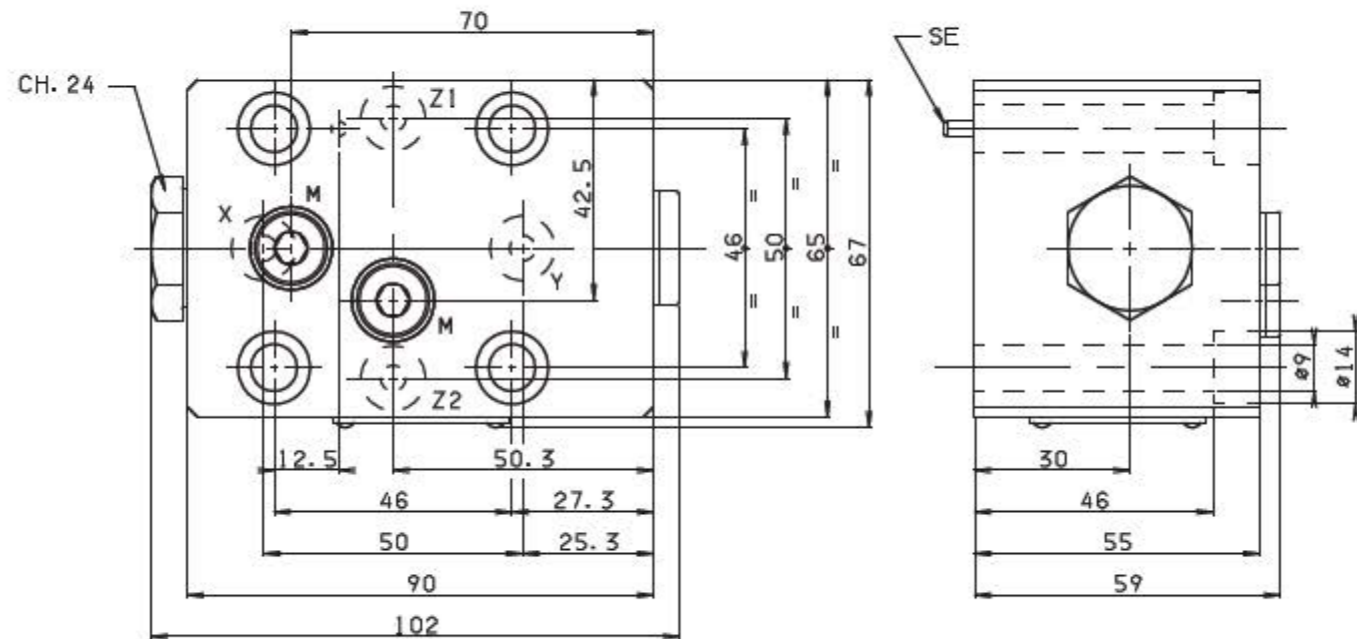
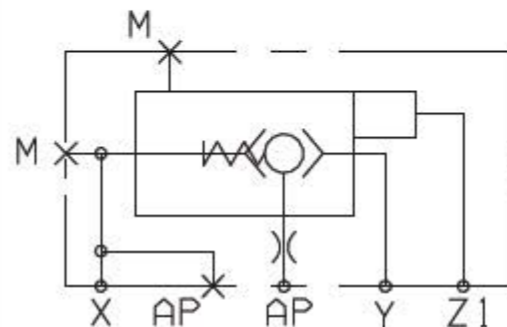


OVERALL DIMENSIONS **KEC.16.PC...** COVER WITH HYDRAULIC OUTLET PILOT VALVE



Weight: 2,1 Kg

M = pressure gauge attachment

Orifice with calibrated $\varnothing 1$ mm standard diameter

The covers are supplied with M8x60 UNI 5931

fixing screws, reference pin SE $\varnothing 3 \times 12$ UNI 6873-71

tightening torque 19÷24 Nm/1.9÷2.4 Kgm with 8.8 screws