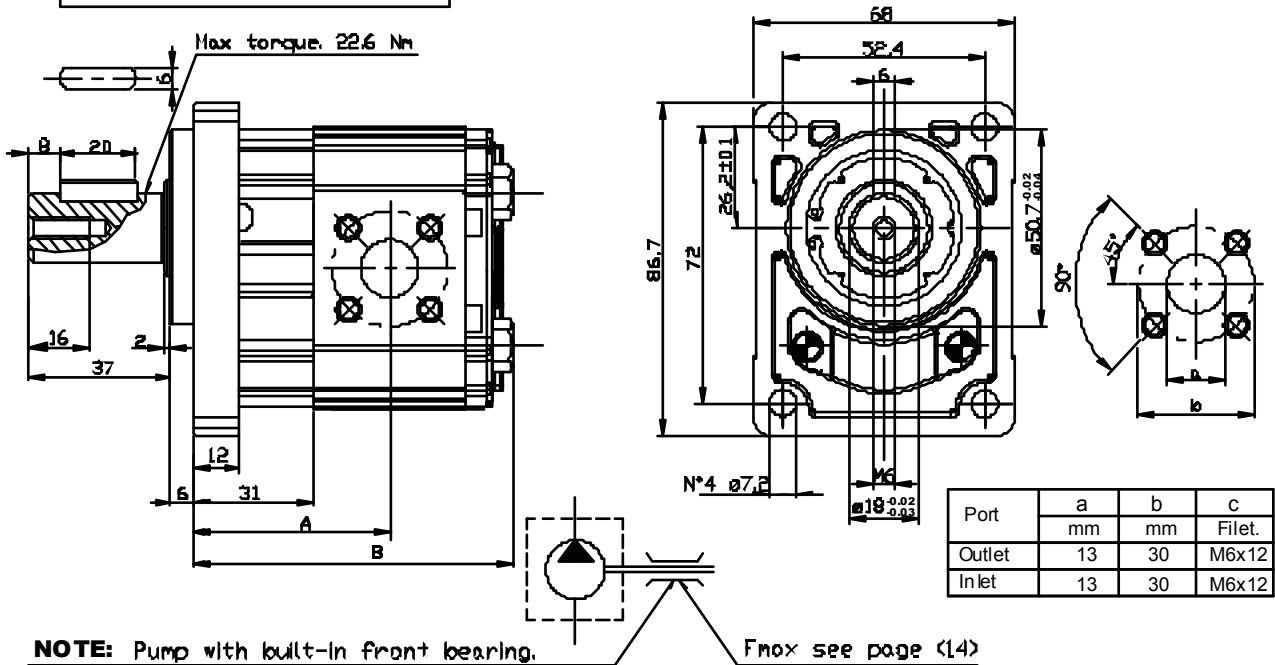


GROUP 1 PUMPS- WITH FRONT BEARING

VERSION: B16 TP1



Type	Displacement (cc/rev)	Max working pressure P1 (bar)	Peak pressure P3 (bar)	Max speed (r.p.m)	Dimension A B (mm)		Absorbed torque at 150 bar (Nm)	Code (Anti-clockwise)	Code (Clockwise)
					A	B			
OT 100 P07	0.73	200	240	5000	49.30	82.5	1.8	PS1027101S	PS1027101D
OT 100 P11	1.05	240	280	5000	49.90	83.6	2.4	PS1027102S	PS1027102D
OT 100 P13	1.25	260	300	5000	50.60	84.3	3.2	PS1027125S	PS1027125D
OT 100 P16	1.45	260	300	5000	50.75	85.3	4.2	PS1027103S	PS1027103D
OT 100 P20	1.80	260	300	5000	51.45	86.7	5.2	PS1027104S	PS1027104D
OT 100 P25	2.50	260	300	5000	52.50	88.8	6.7	PS1027105S	PS1027105D
OT 100 P32	3.05	260	300	5000	53.50	90.8	8.3	PS1027106S	PS1027106D
OT 100 P40	3.80	260	300	4500	54.90	93.6	10.1	PS1027107S	PS1027107D
OT 100 P43	4.30	240	280	4500	55.45	95.7	12.0	PS1027124S	PS1027124D
OT 100 P49	4.50	240	280	4500	56.45	96.7	12.7	PS1027108S	PS1027108D
OT 100 P58	5.55	200	240	4000	58.00	99.8	15.0	PS1027109S	PS1027109D
OT 100 P65	6.25	190	230	3750	59.25	102.3	16.8	PS1027110S	PS1027110D
OT 100 P79	7.60	170	220	3500	61.60	107.0	20.5	PS1027111S	PS1027111D
OT 100 P99	9.90	130	170	3500	70.40	115.8	26.3	PS1027123S	PS1027123D

EXAMPLE OF ORDERING CODE

OT100 P 20 S / B / T 16 P1

Series

Pump

Displacement (see above table)

Rotation

S Anti-dockwise

D Clockwise

European standard flange

Pump shaft

Front bearing

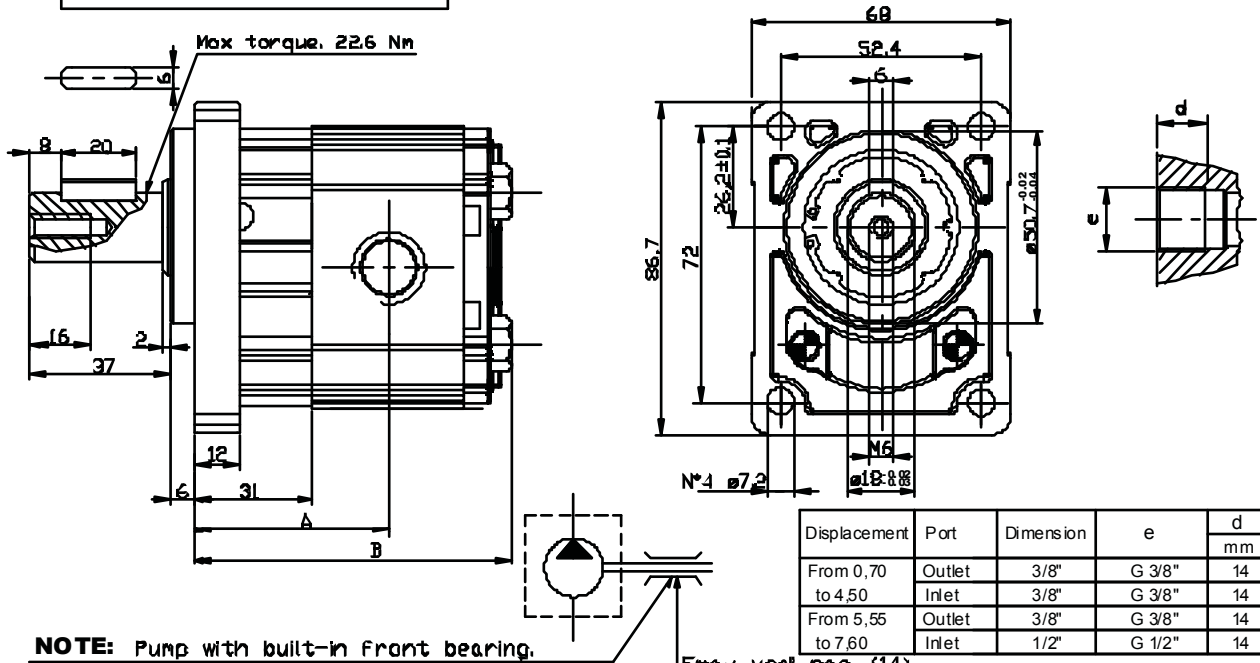
Body for European flanges

□ Screws tightening torque : 28 ± 30 Nm

▨ AVAILABLE FOR QUANTITIES

GROUP 1 PUMPS- WITH FRONT BEARING

VERSION: G 16 T P1



NOTE: Pump with built-in front bearing.

Displacement	Port	Dimension	e	d
			G 3/8"	mm
From 0,70 to 4,50	Outlet	3/8"	G 3/8"	14
	Inlet	3/8"	G 3/8"	14
From 5,55 to 7,60	Outlet	3/8"	G 3/8"	14
	Inlet	1/2"	G 1/2"	14

F_{max} vedi pag. (14)

Type	Displacement (cc/rev)	Max working pressure P ₁ (bar)	Peak pressure P ₃ (bar)	Max speed (r.p.m)	Dimension A B		Absorbed torque at 150 bar (Nm)	Code (Anti-clockwise)	Code (Clockwise)
					(mm)				
OT 100 P07	0.73	200	240	5000	49.30	82.5	1.8	PS1027112S	PS1027112D
OT 100 P11	1.05	240	280	5000	49.90	83.6	2.4	PS1027113S	PS1027113D
OT 100 P13	1.25	260	300	5000	50.60	84.3	3.2	PS1027128S	PS1027128D
OT 100 P16	1.45	260	300	5000	50.75	85.3	4.2	PS1027114S	PS1027114D
OT 100 P20	1.80	260	300	5000	51.45	86.7	5.2	PS1027115S	PS1027115D
OT 100 P25	2.50	260	300	5000	52.50	88.8	6.7	PS1027116S	PS1027116D
OT 100 P32	3.05	260	300	5000	53.50	90.8	8.3	PS1027117S	PS1027117D
OT 100 P40	3.80	260	300	4500	54.90	93.6	10.1	PS1027118S	PS1027118D
OT 100 P43	4.30	240	280	4500	55.45	95.7	12.0	PS1027127S	PS1027127D
OT 100 P49	4.50	240	280	4500	56.45	96.7	12.7	PS1027119S	PS1027119D
OT 100 P58	5.55	200	240	4000	58.00	99.8	15.0	PS1027120S	PS1027120D
OT 100 P65	6.25	190	230	3750	59.25	102.3	16.8	PS1027121S	PS1027121D
OT 100 P79	7.60	170	220	3500	61.60	107.0	20.5	PS1027122S	PS1027122D
OT 100 P99	9.90	130	170	3500	70.40	115.8	26.3	PS1027126S	PS1027126D

EXAMPLE OF ORDERING CODE

OT100 P 20 S / G / T 16 P1

Series

Pump

Displacement (see above table)

Rotation

S	Anti-clockwise
D	Clockwise

European standard flange

Pump shaft

Front bearing

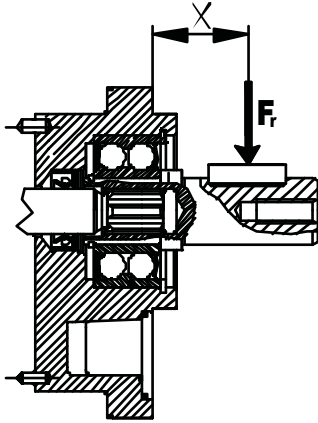
Body with threaded ports (BSP)

Screws tightening torque : 28 ± 30 Nm

AVAILABLE FOR QUANTITIES

GROUP 1 PUMPS- WITH FRONT BEARING

VERIFY OF BEARING LIFE



X = Distance of the radial flange result from the mounting flange

**Each curve has been obtained at:
Lubricant oil ISO VG 46
Temperature 60° C (140° F)
Without or with very low axial load**

**Example
Fr = 600 N
X = 20 mm
Speed = 3000 rpm
Rating fatigue life ≈ 2500 h**

