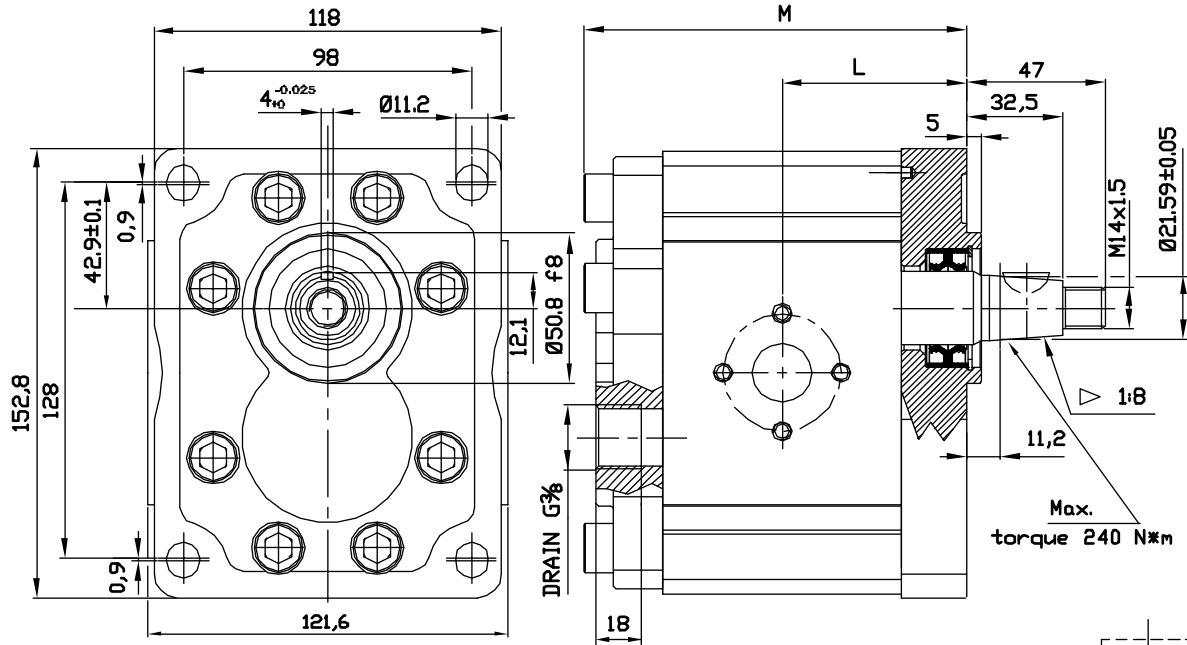


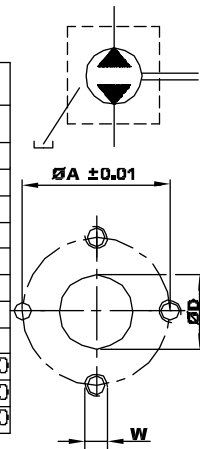
GROUP 3 REVERSIBLE PUMPS-

EUROPEAN STANDARD

VERSION: P38 P3

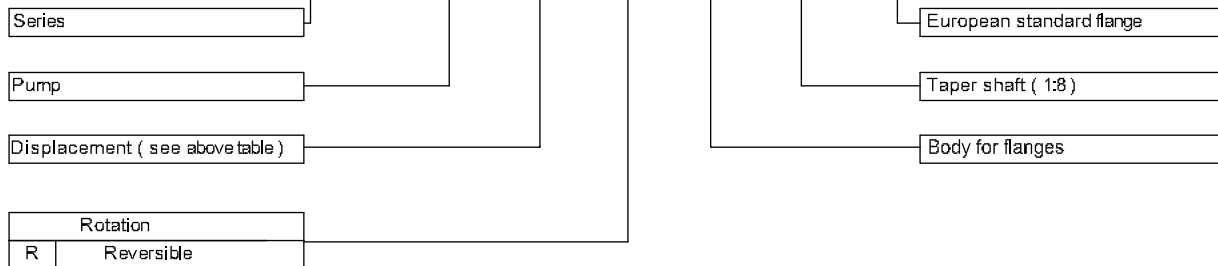


| Type | Displacement (cc/rev) | Max working pressure P1 (bar) | Peak pressure P3 (bar) | Max speed (r.p.m) | Dimension | | Inlet port | | | Outlet port | | |
|------------|--------------------------|----------------------------------|---------------------------|----------------------|-----------|-------|------------|----|-----|-------------|----|-----|
| | | | | | L | M | ØD | ØA | W | ØD | ØA | W |
| OT 300 P22 | 22 | 220 | 250 | 3000 | 57,4 | 119,3 | 27 | 51 | M10 | 19 | 40 | M8 |
| OT 300 P28 | 28 | 220 | 250 | 3000 | 59,7 | 123,7 | 27 | 51 | M10 | 19 | 40 | M8 |
| OT 300 P32 | 32 | 220 | 250 | 3000 | 61,2 | 126,9 | 27 | 51 | M10 | 19 | 40 | M8 |
| OT 300 P38 | 38 | 200 | 230 | 3000 | 63,5 | 131,5 | 27 | 51 | M10 | 19 | 40 | M8 |
| OT 300 P42 | 42 | 200 | 230 | 3000 | 65,0 | 134,5 | 27 | 51 | M10 | 19 | 40 | M8 |
| OT 300 P48 | 48 | 200 | 230 | 3000 | 72,3 | 149,1 | 27 | 51 | M10 | 19 | 40 | M8 |
| OT 300 P53 | 53 | 180 | 200 | 3000 | 74,2 | 152,9 | 27 | 51 | M10 | 19 | 40 | M8 |
| OT 300 P63 | 63 | 180 | 200 | 2100 | 78,0 | 160,5 | 27 | 51 | M10 | 19 | 40 | M8 |
| OT 300 P73 | 73 | 160 | 180 | 2100 | 81,9 | 168,2 | 36 | 62 | M12 | 27 | 51 | M10 |
| OT 300 P82 | 82 | 160 | 180 | 2100 | 85,3 | 175,1 | 36 | 62 | M12 | 27 | 51 | M10 |
| OT 300 P90 | 90 | 130 | 150 | 2100 | 88,3 | 181,1 | 36 | 62 | M12 | 27 | 51 | M10 |



EXAMPLE OF ORDERING CODE

OT300 P 28 R / P 38 P3

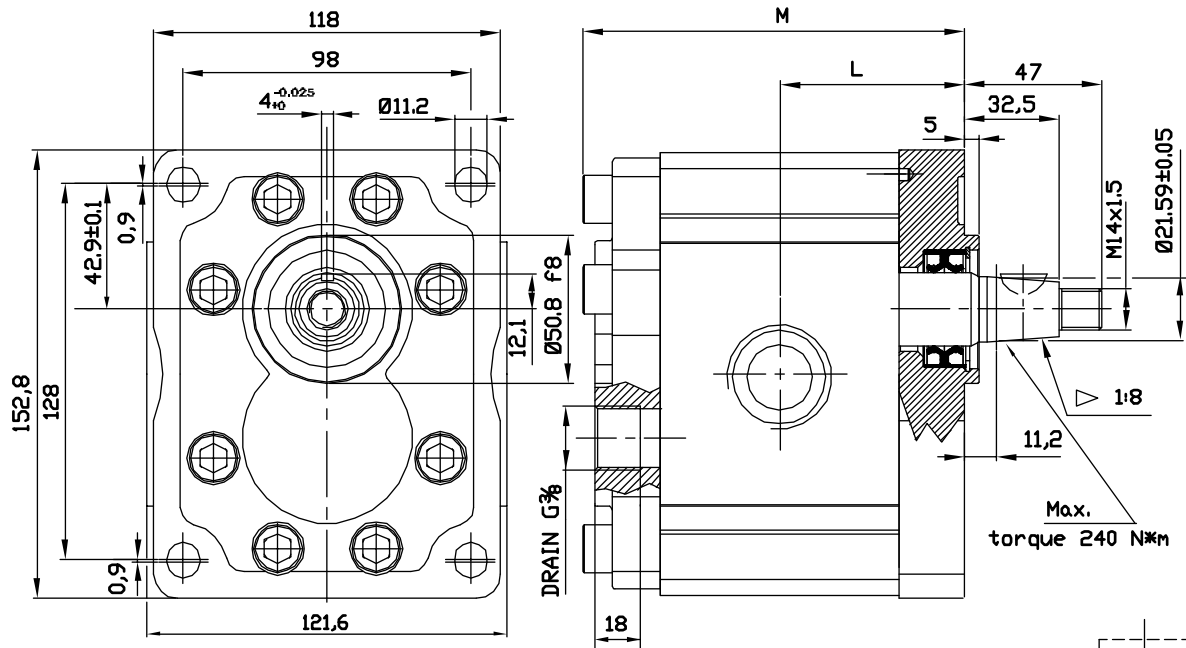


AVAILABLE FOR QUANTITIES

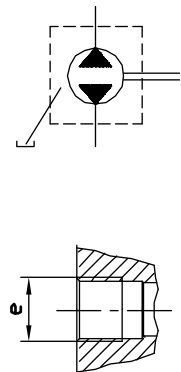
GROUP 3 REVERSIBLE PUMPS-

EUROPEAN STANDARD

VERSION: G38 P3

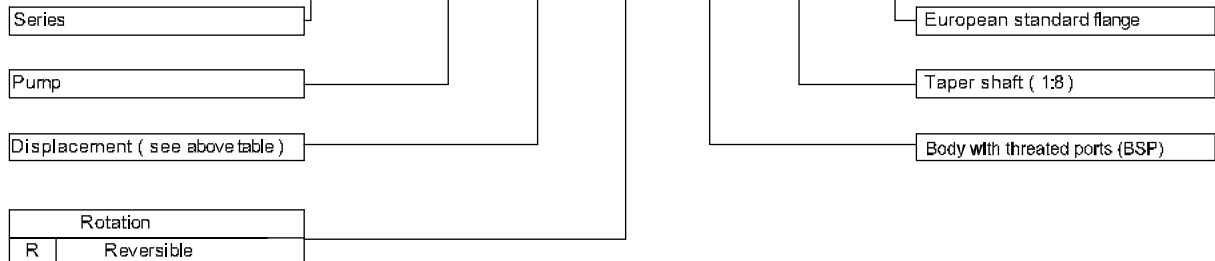


| OT 300 P22 | 22 | 220 | 250 | 3000 | 57,4 | 119,3 | G 1 | G 1 |
|-------------------|----|-----|-----|------|------|-------|---------|---------|
| OT 300 P28 | 28 | 220 | 250 | 3000 | 59,7 | 123,7 | G 1 | G 1 |
| OT 300 P32 | 32 | 220 | 250 | 3000 | 61,2 | 126,9 | G 1 | G 1 |
| OT 300 P38 | 38 | 200 | 230 | 3000 | 63,5 | 131,5 | G 1 | G 1 |
| OT 300 P42 | 42 | 200 | 230 | 3000 | 65,0 | 134,5 | G 1 | G 1 |
| OT 300 P48 | 48 | 200 | 230 | 3000 | 72,3 | 149,1 | G 1 | G 1 |
| OT 300 P53 | 53 | 180 | 200 | 3000 | 74,2 | 152,9 | G 1 | G 1 |
| OT 300 P63 | 63 | 180 | 200 | 2100 | 78,0 | 160,5 | G 1+1/4 | G 1+1/4 |
| OT 300 P73 | 73 | 160 | 180 | 2100 | 81,9 | 168,2 | G 1+1/4 | G 1+1/4 |
| OT 300 P82 | 82 | 160 | 180 | 2100 | 85,3 | 175,1 | G 1+1/4 | G 1+1/4 |
| OT 300 P90 | 90 | 130 | 150 | 2100 | 88,3 | 181,1 | G 1+1/4 | G 1+1/4 |



EXAMPLE OF ORDERING CODE

OT300 P 28 R / G 38 P3



AVAILABLE FOR QUANTITIES