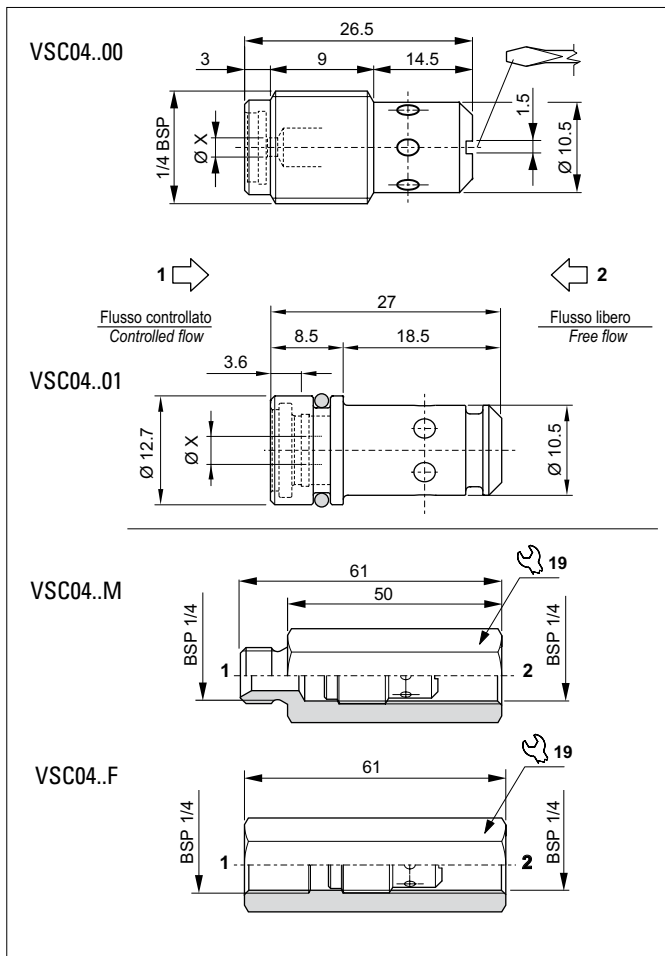


FIXED COMPENSATED FLOW CONTROL VALVE

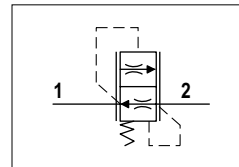


The flow control valve maintains a steady flow in a single direction (1 to 2) regardless of oil pressure.
 The flow is reduced by the control hole X which determines the flow rate.
 Steel body. Compensator plunger in ground steel.

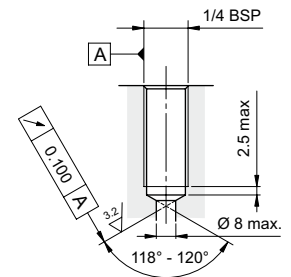
HYDRAULIC FEATURES

Max. opening pressure	250 bar
ΔP of regulation	5.4 ÷ 6.3 bar
Max. Flow	11.7 l/min
Hydraulic fluid	DIN 51524 Mineral oils
Fluid viscosity	10 ÷ 500 mm ² /s
Fluid temperature	-25°C ÷ 75°C
Ambient temperature	-25°C ÷ 60°C
Max. contamin. level class with filter	ISO 4406:1999 - class 19/17/14
Weight	0.014 kg
Tightening torque	6 ÷ 8 Nm
Cavity (for VSC04..01)	CD018009 (See section 15)

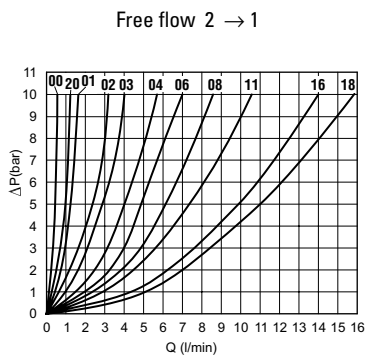
HYDRAULIC SYMBOL



SEAL (FOR VSC04..00)



PRESSURE DROPS



Fluid used: mineral based oil with viscosity 46 mm²/s at 40°C.

FLOW CONTROLLED BY "X" PORT

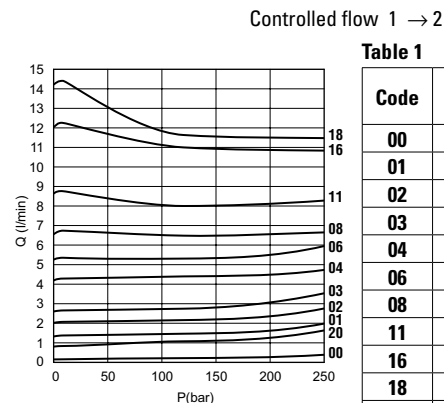


Table 1

Code	Ø X (mm)	Nominal flow at 120 bar (l/min)
00	0.50	0.3
01	1.00	1.4
02	1.25	2.3
03	1.50	2.8
04	1.75	4.3
06	2.00	5.2
08	2.25	6.5
11	2.50	8.0
16	3.00	11.1
18	3.20	11.7
20	0.80	1.1

ORDERING CODE

