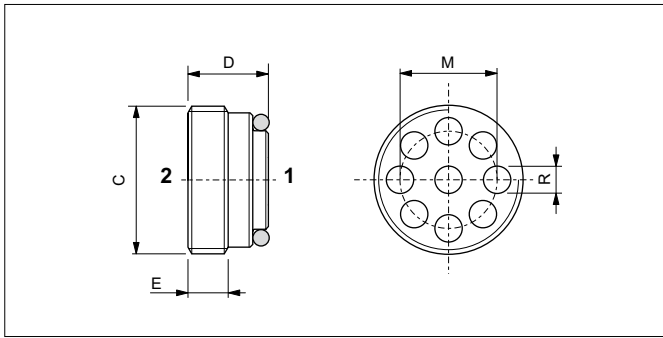


## ONE-WAY CHECK VALVES



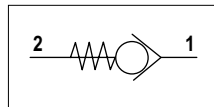
The unidirectional check valve allows oil to flow in only one direction. The guided half-ball seal is made of tempered and ground steel. The spring allows the valve to be mounted in any position. Steel body.

### HYDRAULIC FEATURES

C	Flow max (l/min)	Pressure max (bar)	M (mm)	R (mm)	D (mm)	E (mm)	Tightening torque (Nm)	Weight (kg)
1/4 BSP	20	350	8.5	2.2	8.8	4.2	6	0.005
3/8 BSP	50	350	10.8	3	12	7	6	0.015
1/2 BSP	80	350	14.2	3.8	14.7	8	10	0.018

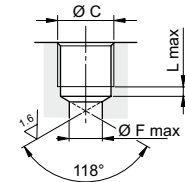
Max. Leakage (0 ÷ 5 drops/min)	0 ÷ 0.25 cm <sup>3</sup> /min
Hydraulic fluid	DIN 51524 Mineral oils
Fluid viscosity	10 ÷ 500 mm <sup>2</sup> /s
Fluid temperature	-25°C ÷ 75°C
Ambient temperature	-25°C ÷ 60°C
Max. contamin. level class with filter	ISO 4406:1999 - class 19/17/14

### HYDRAULIC SYMBOL



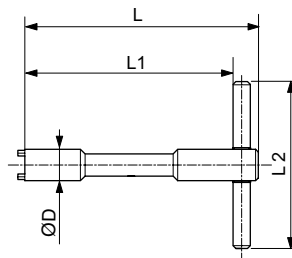
### SEAL

C	F (mm)	L (mm)
1/4 BSP	7	3
3/8 BSP	9	5
1/2 BSP	12	4.5

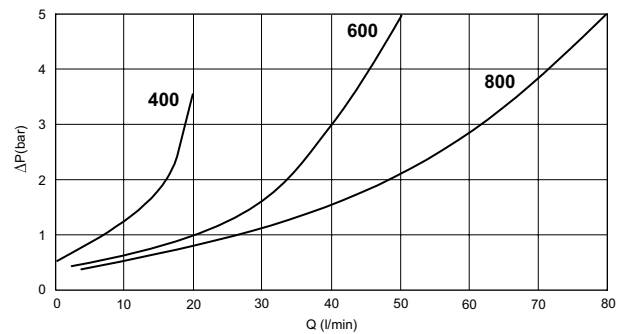


### KEY FOR TIGHTENING VALVE

Code key	For valve	D (mm)	L (mm)	L1 (mm)	L2 (mm)
AVA174	VUI0400	11.3	120	110	60
AVA176	VUI0600	15	120	110	80
AVA178	VUI0800	18.8	120	108	80



### PRESSURE DROPS



Fluid used: mineral based oil with viscosity 32 mm<sup>2</sup>/s at 40°C.

### ORDERING CODE

