

# XP.3... PROPORTIONAL PRESSURE CONTROL VALVES CETOP 3/NG6

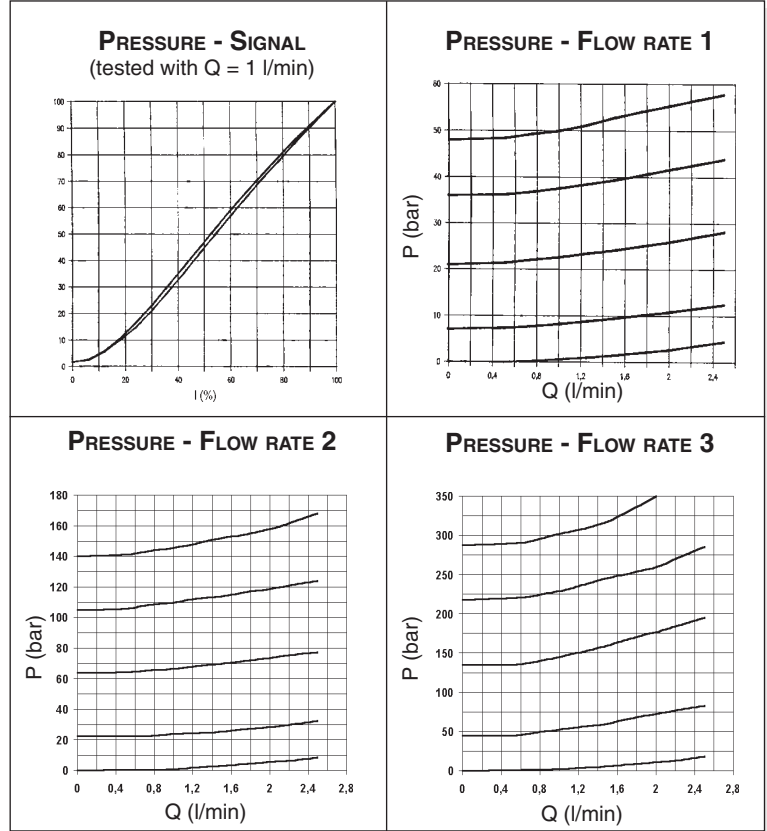


## XP.3...

STANDARD CONNECTORS	CH. I PAGE 19
REM.S.RA...	CH. IX PAGE 4
V.M.P... / V.M.L... / V.M.P.E...	CH. II PAGE 6

Proportional maximum pressure valves type XP.3.\*.. are used to regulate a hydraulic circuit pressure by means of a variable electric signal. Their precise implementation allows for high and constant operational standard up to a maximum 2,5 l/min flow rate. A manually pressure limit setting version is also available, to protect the system from uncontrolled electrical signals.

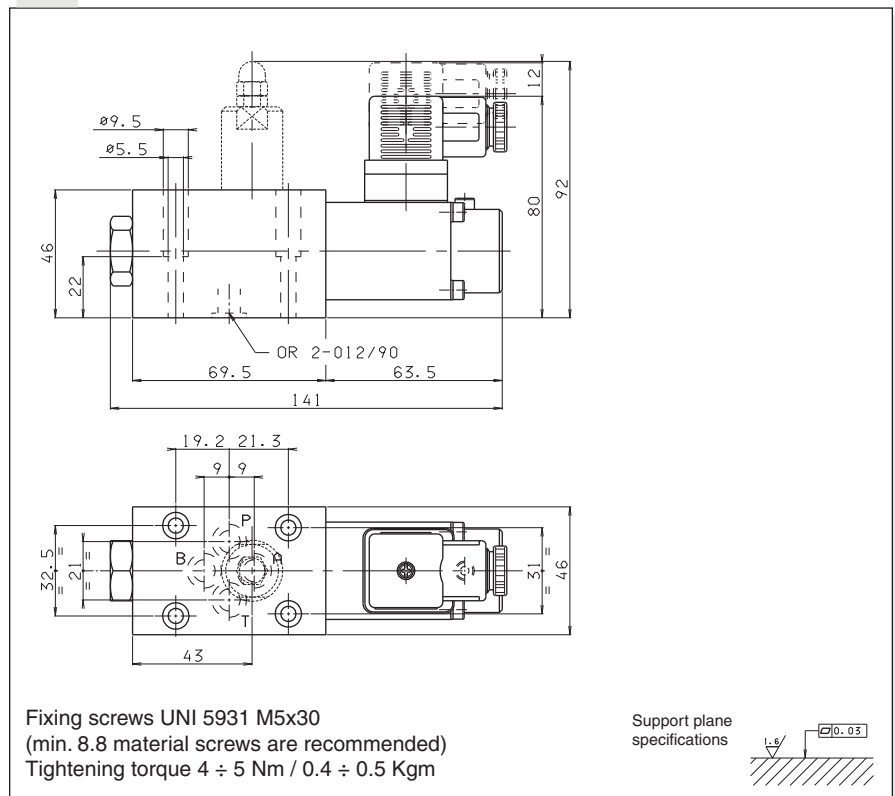
• Other valves (e.g. subplate or in-line mounted valves) should be ordered separately.



## ORDERING CODE

<b>XP</b>	Max. pressure valve
<b>3</b>	CETOP 3/NG6
<b>*</b>	1 = max. 50 bar 2 = max. 140 bar 3 = max. 320 bar
<b>*</b>	E = with manual limiter S = without manual limiter
<b>*</b>	Voltage: F = 12V DC G = 24V DC
<b>**</b>	Variant (*): S1 = No variant SV = Viton
<b>1</b>	Serial No.

## OVERALL DIMENSIONS



Max. operating pressure (depending on the flow rate)	350 bar
Max. flow	2,5 l/min
Max. ambient temperature	50° C
Linearity	See diagrams
Max. hysteresis	<3% of nominal value
Repeatability error (between 150 and 680 mA)	<2%
Resistance at 20°C (24V)	24.6 Ohm
Resistance at 20°C (12V)	7.2 Ohm
Max. resistance (ambient 20°C) (24V) at op. temp.	31 Ohm
Max. resistance (ambient 20°C) (12V) at op. temp.	9 Ohm
Max. current at (24V)	0.68A
Max. current at (12V)	1.25A
Type of protection	IEC 144 class IP 65
Max. contamination level	class 8 in accordance with NAS 1638 with filter $\beta_{10} \geq 75$
Fluid temperature	-20°C ÷ 75°C
Fluid viscosity	10 ÷ 500 mm <sup>2</sup> /s
Weight	1,4 Kg

• Operating specifications are valid for fluids with 33 mm<sup>2</sup>/s at 50°C, using specified ARON electronic control units.

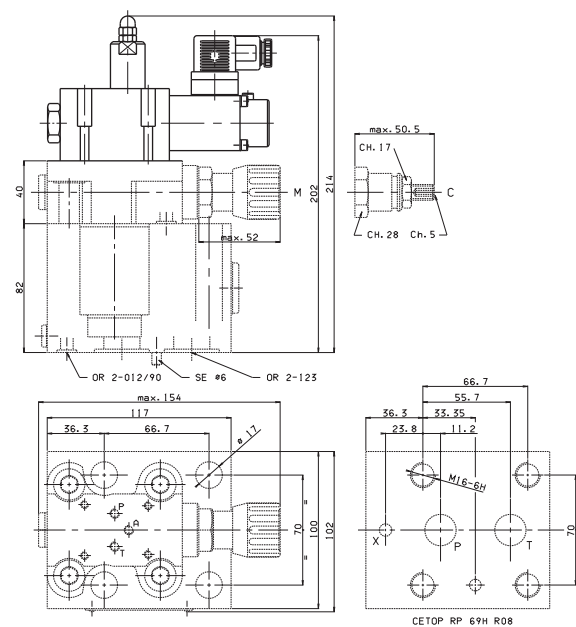
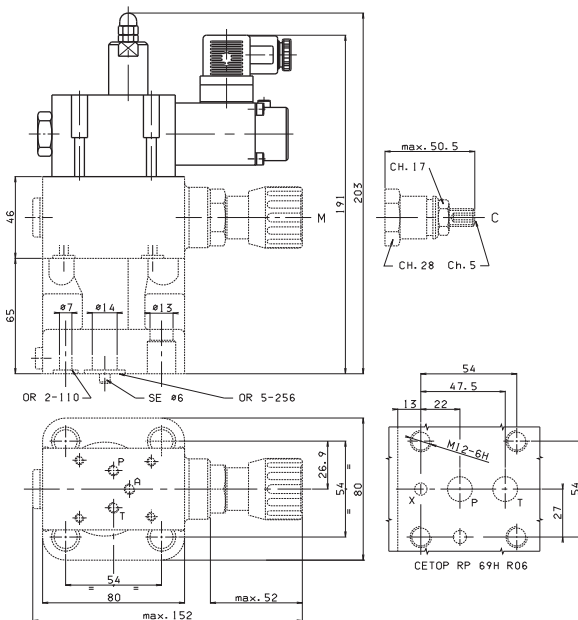
## ELECTRONIC CONTROL UNITS

### REM.S.RA.\*\*

Card type control for single solenoid 12V and 24V

### TYPICAL INSTALLATION XP.3... + VMP.E.16...

### TYPICAL INSTALLATION XP.3... + VMP.E.25...



• WITH MOUNTING ON VMPE USE THE FOLLOWING CALIBRATED ORIFICES (SEE V.M.P.\*.E VALVE AQ VARIANT)

VMP.E.16...     A = Ø 1 mm  
                       B = Ø 0,3 mm

VMP.E.25...     A = Ø 1,2 mm  
                       B = Ø 0,5 mm

